

## Beam Flux Gauges

- Retractable mechanism – for measurement and parking position
- Based on Bayard Alpert principle



### Product introduction

Bayard Alpert gauges are workhorses' components in UHV measurements. Their technology enable very low-pressure measurement, down in the  $10^{-12}$  Torr range.

Working principle is based on ionization of gas molecules, which are attracted by a collector; measurement of current intensity is directly linked to the gas molecule

density, ie, the pressure.

There are two types of materials commonly used for filaments cathodes in Bayard Alpert gauges (vacuum measurements), tungsten or iridium. Two types of coatings are also used on the filaments : thorium or yttrium.

Flux measurement is achieved by

monitoring the output of a Bayard Alpert ion gauge, positioned in the path of K-cell emissions, where it can measure the beam equivalent pressure. The ion gauge assembly is equipped with a motorized feedthrough which can be moved into the monitoring position, the movement being linear for C21 and MBE412 series, and rotational for MBE49/6000.

### Specifications

Characteristics	Bayard Alpert gauge
Filament type	Tungsten (W) – Nude filament
Typical BEP range	$10^{-3}$ to $10^{-9}$ Torr
Positioning repeatability	+/-0,5 mm

## Ordering information – MBE 49 Compatible version – Flux gauge

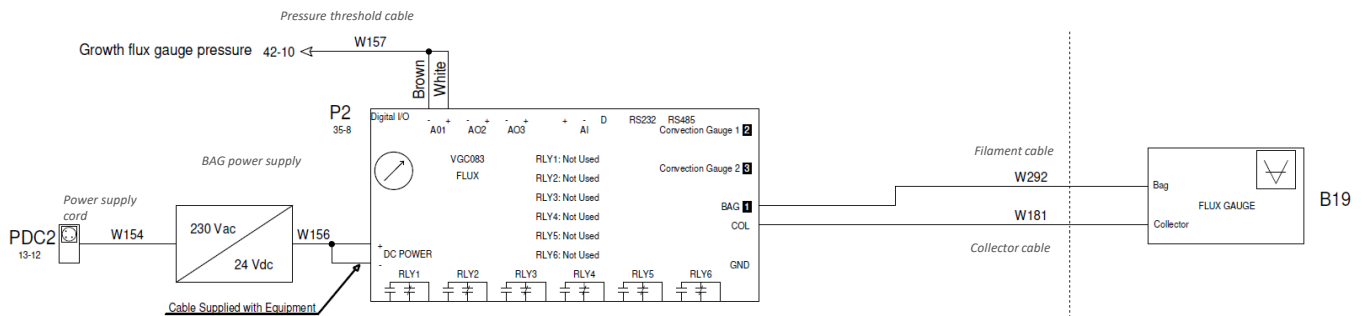
Designation	Description	Quantity per system	Reference
GAUGE ROTAT V2 MBE49NT SS MOT.	MBE 49 Complete rotatable Flux Gauge Model : JBA11I Filament type : W Includes: Flange with connectors, feedthroughs,, rotation mechanism, gauge supporting arm, gauge head with dual filament Does not include the motor	1	R241 463 30 U

*Additional accessories such as mounting kit and necessary gaskets will be added to the quote*

## Ordering information – MBE 49 Compatible version – Additional accessories

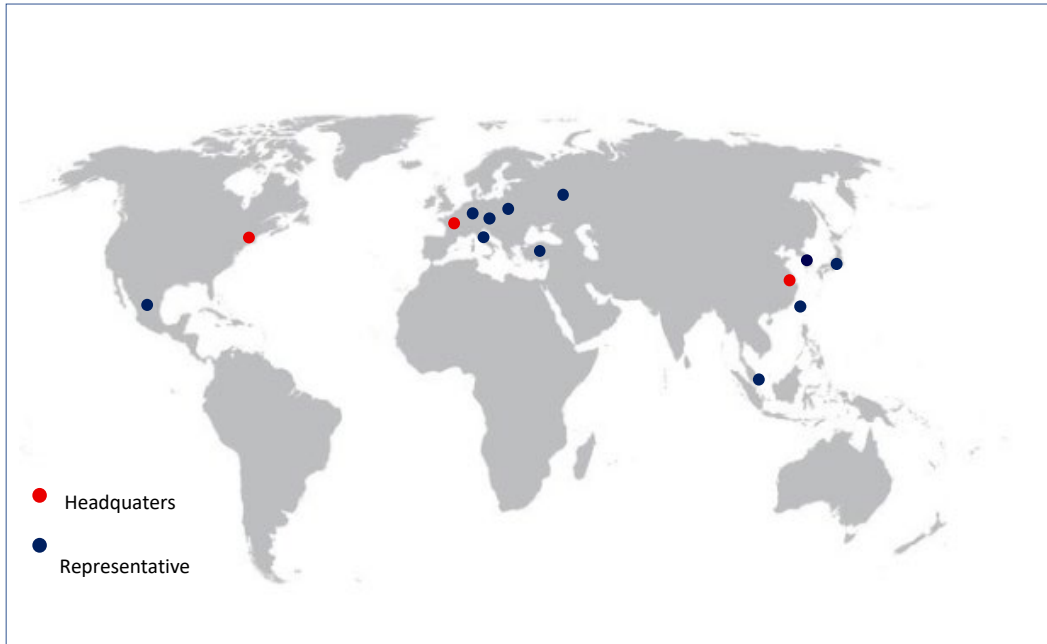
*For spare parts, please consult Ribber to also get the corresponding spare parts list*

Layout item	Designation	Description	Quantity per component	Reference
<b>Power supply</b>				
W181	CORD COLLECT. FLUX GAUGE L15M	Coaxial cord from power supply to flux gauge Length : 15 m	1	R252 284 60 X
W292	CORD VGC083/ JAUG FLUX T4P L15M	Length 15 m	1	252 392 60 L
W157	CORD ANA ALIM VG083 TELEM L8M	-	1	252 393 00 E
W154	POWER CORD L2,5M	-	1	R415 533 01 P
P2	POWER SUPPLY JBA CONVECT GAUGES VGC083	-	1	R626 892 38 J
-	FACE AV 1 VGC083	-	1 (for 1 power supply)	626 892 43 P
<b>Flux gauge</b>				
-	FLUX GAUGE JBA11I W/O FLANGE	Flux Gauge Head Model : JBA11I without Flange Filament type : W Dual filament gauge head	1	R302 743 90 D
-	DBL. FILT FOR JBA11I GAUGE	Spare dual filament for flux gauge - W	1	R435 560 01 M



## RIBER SALES AND SERVICE NETWORK

For more information, please contact your local sales representative



### FRANCE

RIBER  
 31, Rue Casimir Périer  
 95 873 Bezons Cedex  
 France  
 Tel : +33(0)1 3996 65 91  
 Fax : +33(0)1 3947 4562  
 Email : customerservice@riber.fr

### USA/CANADA

RIBER Inc  
 216, Route 206, Suite 17  
 Hillsborough  
 NJ 08844 USA  
 Tel : +1 732 603 0680  
 Fax : +1 732 603 8611  
 Email : customerservice@riber-us.com

### CHINA

RIBER China  
 Room 1-8, Building A, Dart Tech Park  
 #516 Wenchuan Road, Baoshan District  
 Shanghai PR China  
 Tel : +86 (21) 635 66 266  
 Fax : +86 (21) 635 66 266  
 Email : customerservice@riber.cn

### OTHER COUNTRIES

RIBER  
 31, Rue Casimir Périer  
 95 873 Bezons Cedex  
 France  
 Tel : +33(0)1 3996 65 91  
 Fax : +33(0)1 3947 4562  
 Email : customerservice@riber.fr

Email: [info@riber.com](mailto:info@riber.com)

Website: [www.riber.com](http://www.riber.com)